

# SPECTRUM

# XT

range

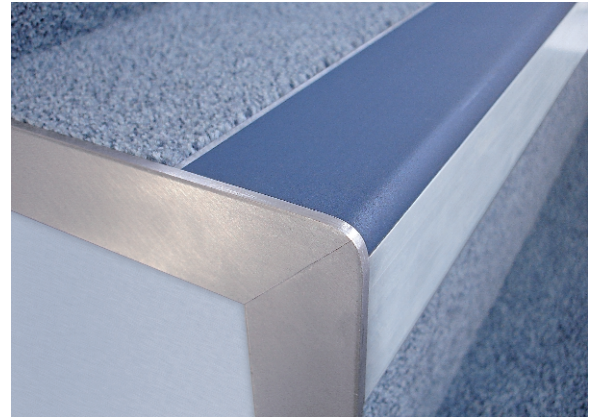
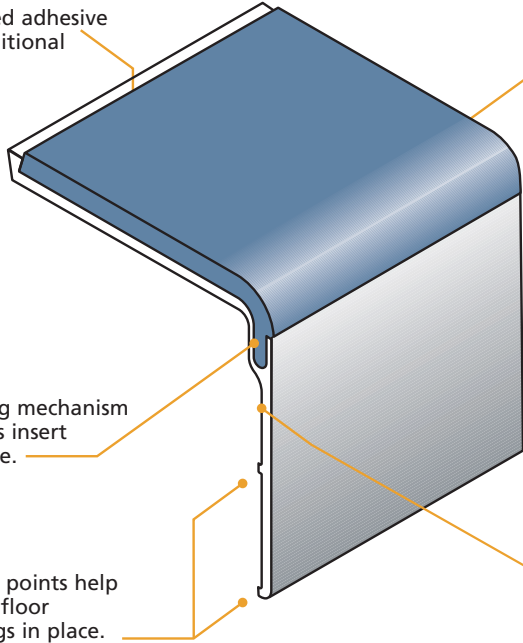
New improved adhesive bond for additional strength.

New extended insert design ensures maximum safety underfoot.

Locking mechanism secures insert in place.

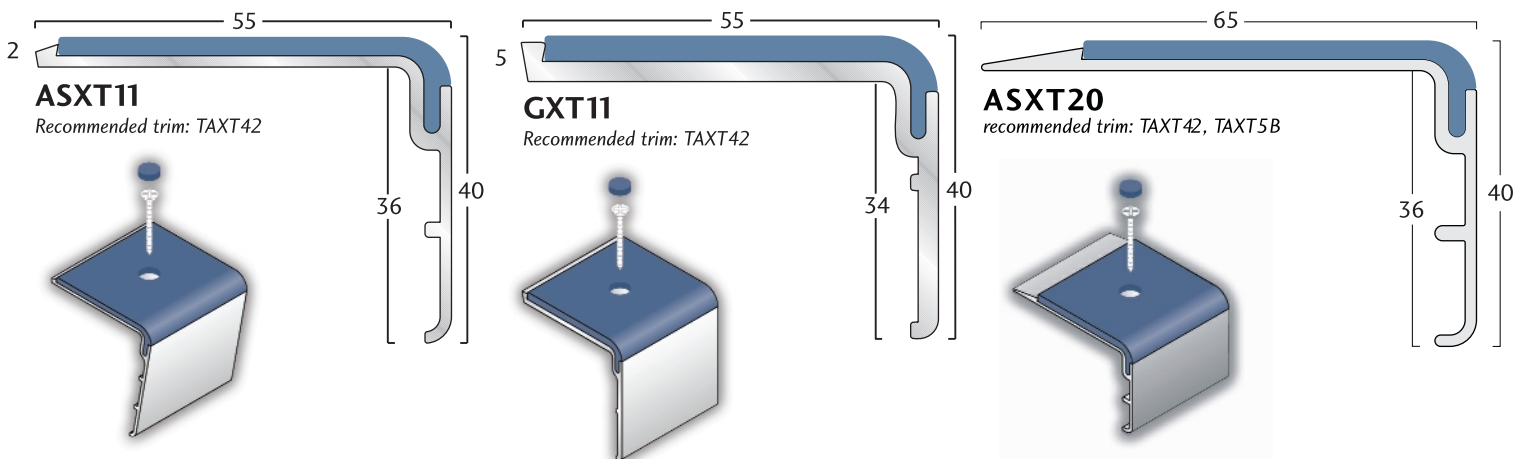
Backing points help to hold floor coverings in place.

Recess to accommodate floor covering ensures secure fit of profiles to step.



The Spectrum XT Range features an extended slip resistant insert that continues around the leading edge of the stair edging to ensure that contact is always made with the slip-resistant element of the stair edging.

The XT range also incorporates 55mm treads and 40mm risers to help building owners achieve an inclusive environment in line and exceeding the BCA and AS1428-1 requirements using the latest research for optimum safety and performance.



- Recommended for internal use.
- Easily handled and installed. (Available in 2.44, 2.75 and 3.2m lengths).
- Choice of colours to enable colour contrast with surrounding floor covering (LRV rated).
- Choice of inserts to AS4586-2004 (Interior "W" rated or Xtragrip "V" rated).
- Inserts rated for heavy duty commercial use (EN685 Class 34).

quality  
innovation  
experience  
service



Patent applied for – Application no 0526373.6  
Registered Community Design Application No 00465950  
Dimensions shown are nominal. Illustrations are full size in mm.  
Products subject to minor design alterations without notice.

393 South Road, Mile End, South Australia 5031 Phone: +61 (08) 8354 9000 Fax: +61 (08) 8354 9045 Email: 393@spectrumfloors.com.au

This information is correct at the time of printing 4/2010 but the manufacturer reserves the right to carry out modifications aimed at product improvement without notice. © Spectrum Floors 2010.